



## GA Series

### Variable Area Flowmeter

- 전원 장치 없이 사용하는 현장 지시 유량계
- 전단 or 후단에 벨브 설치 가능 / 알람 기능 선택적으로 제공
- 유체의 순간 흐름 쉽게 확인 가능 (거품, 색상 등)

## GA-10 Series General Specifications

<b>Size</b>	15A(1/2") ~ 100A(4")
<b>Process Connection</b>	Flange type - KS / JIS / ANSI / ASME / DIN Std Flange or Screw
<b>Flow Ranges</b>	Water - 0.12 m <sup>3</sup> /h ~ 60 m <sup>3</sup> /h Air - 1.2 Nm <sup>3</sup> /h ~ 800 Nm <sup>3</sup> /h
<b>Range Ability</b>	10 : 1
<b>Accuracy</b>	±2.0 % F.S (Option ±1.0 % F.S)
<b>Fluid Temperature</b>	Max 120 °C
<b>Max. Pressure</b>	Max. 10 kgf/cm <sup>2</sup> .G

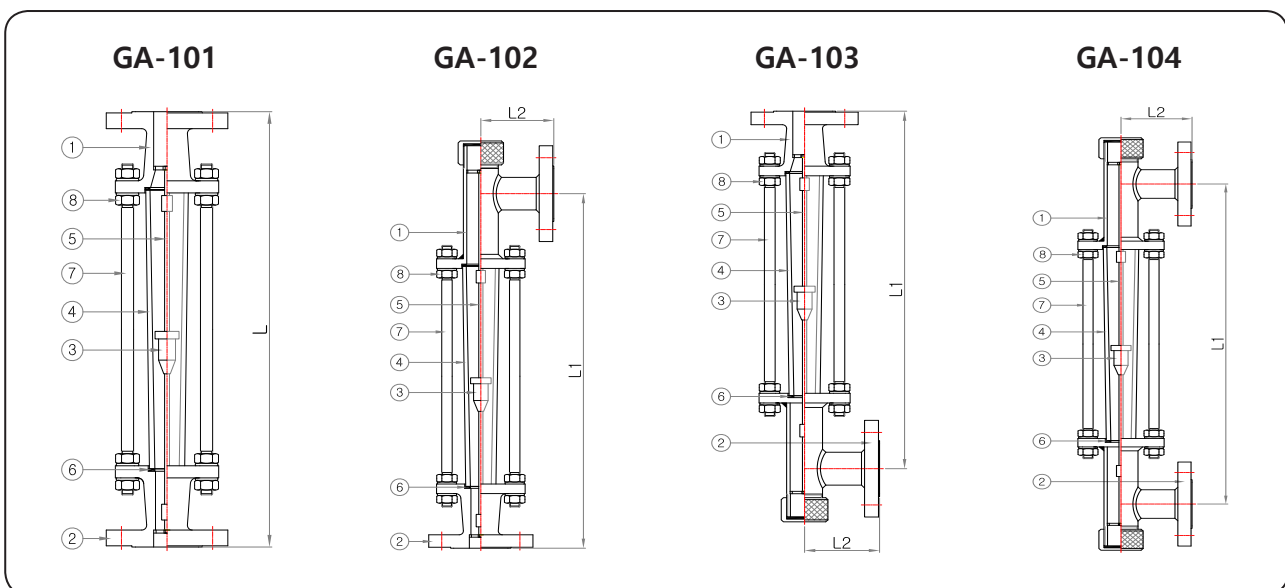
## MODEL CODE

GA - 10	-	□	-	□	Specification
		1			Bottom to Top
		2			Bottom to Top side
		3			Bottom side to Top
		4			Bottom side to Top side
			A		Alarm Switch (High, Low)
			V		Valve

## STANDARD MATERIAL

No.	Description	Material				
		A	B	C	D	E
1	Body	SS400	304SS	316SS	316LSS	PVC
2	Flange					
3	Float	304SS/316/316L, PVC, ACETAL, PTFE				
4	Taper tube	PYREX GLASS, PC				
5	Guide bar	304SS	316SS/316L, PTFE LINER			
6	Packing	NBR, EPDM, SILICON, FKM, PTFE				
7	Post	SS400	304SS			
8	Nut					

## STRUCTURAL DRAWING



## FLOW RANGE & DIMENSIONS

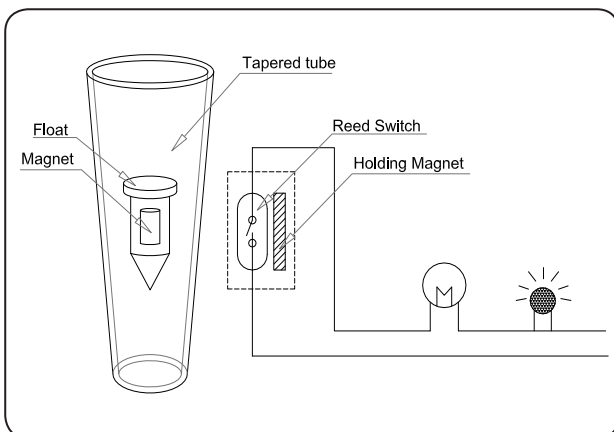
Size	L (mm)	L1 (mm)	L2 (mm)	Water		Air		압력손실 mmAq (≒)	
				m <sup>3</sup> /h	L/min	Nm <sup>3</sup> /h	NL/min	Water	Air
15A	360	370	70	0.12 - 1.2	2 - 20	1.2 - 12	20 - 200	100	20
20A	360	370	70	0.25 - 2.5	4 - 40	3 - 30	50 - 500	200	30
25A	400	410	80	0.45 - 4.5	7.5 - 75	7.5 - 75	125 - 1250	250	40
32A	420	430	80	0.7 - 7.5	12.5 - 125	10 - 100	170 - 1700	300	50
40A	440	450	100	1.2 - 12	20 - 200	15 - 150	250 - 2500	350	60
50A	480	500	100	1.8 - 18	30 - 300	21 - 210	350 - 3500	400	100
65A	550	580	120	3 - 30		35 - 350		400	100
80A	620	660	130	4.5 - 45		50 - 500		500	150
100A	740	790	150	6 - 60		80 - 800		500	150

## PRODUCT WEIGHT & INTERNAL PRESSURE

규격	내압한도 (kgf/cm <sup>2</sup> .G)		중량 (kg)		
	금속	PVC	금속		PVC
			1형	4형	1형
15A	10	5	4	5	2
20A	10	5	5	5	2
25A	7	4	7	8	3
32A	7	4	8	9	5
40A	7	4	9	11	6
50A	5	3	12	15	8
65A	4	3	18	25	12
80A	3	2	23	30	15
100A	3	2	38	50	20

√ 주문에 의한 내압한도 증가 가능함

## ALARM OUTPUT UNIT (REED SWITCH TYPE)



<b>Contact Reed switch</b>	Self holding type
<b>Max. Contact capacity</b>	AC 10 VA DC 10 W
<b>Max. Voltage</b>	AC 125 V DC 100 V
<b>Max. Temperature</b>	-10 °C ~ 60 °C
<b>Cable length</b>	1 m